



Instruction manual



Zhejiang Hongtai Electronics Equipment Co.,Ltd.China

Add:No.355-357,Ningkang West Rd,Yueqing325606,zj.cn.

Tel: (86-577)-62517028 62516817

Fax: (86-577)-62510018

E-mail:htdz@htdz.sina.net

htdz@mail.wzptt.zj.cn

web site:www.chinahongtai.com

Zhejiang Hongtai Electronics Equipment Co.,Ltd.

■ Automatic lock

Fits for electrical control, key or hand operation
Low noise, long life, power save, convenient installation
It is not necessary to identify installation directions
it is universal for left, right, in-swing and out-swing doors

■ Application

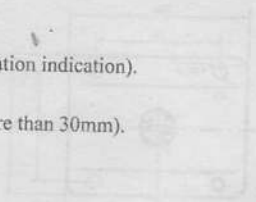
Voltage: 12VDC
it's possible to match with building intercom, access control system
Applicable to most kinds of doors or gates
Quality warranty: 1 year

■ Function

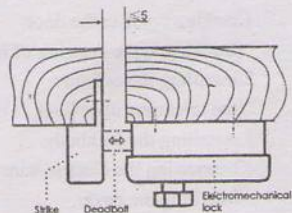
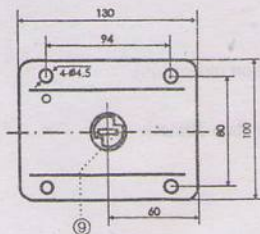
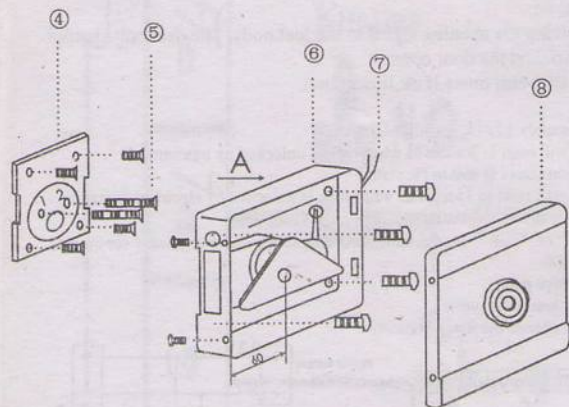
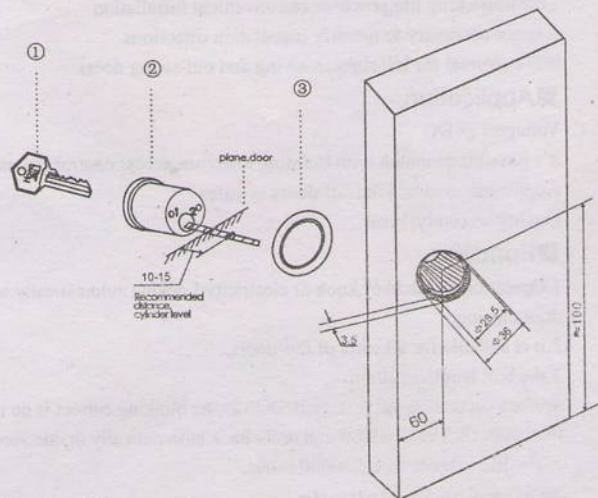
1. Operation by latchkey, knob or electricity; Locking automatically when door closing.
2. it is suitable for all sorts of fan-doors.
3. the bolt length is 20mm
4. When unlocking, the voltage is DC 12v, the blinking current is no more than 500mA. The deadbolt can draw back automatically in one second.
5. The life is more than 350000 times.

■ Installation Methods

1. making holes in the door.
(Looking at the drawing of installation indication).
2. installing the cylinder
(the thickness door Leaf is no more than 30mm).
3. installing the lockbody.
4. connecting the electric wire.
5. installing the cover.
6. connecting the padlock.



Electromechanical Lock instruction



- ① key
- ② cylinder
- ③ ring
- ④ adapter
- ⑤ M5×45, screws
- ⑥ case
- ⑦ wire line
- ⑧ cover
- ⑨ hole, cylinder level

The above operation looking at the drawing of installation indication.

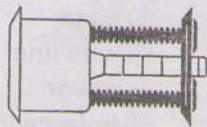
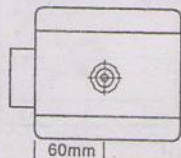
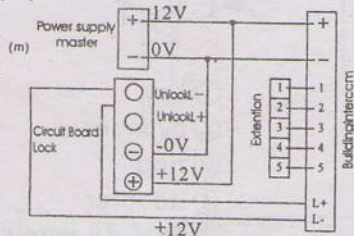
■ Inspection

- When close the door, the deadbolt should out automatically, and the door locked.
- When giving the opening signal to the lockbody, The deadbolt should draw back, and the door open.
- Do A & B several times. If ok, It is normal.

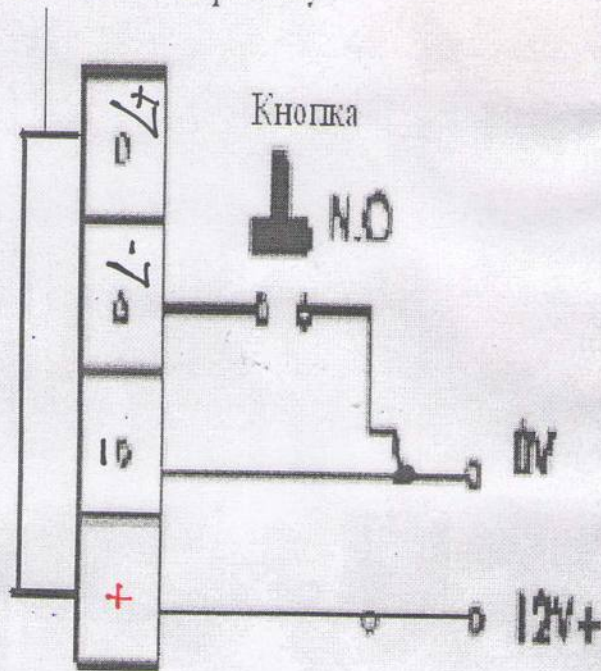
⚠ Note:

- power supply: 12v DC, stabilized: 1Amp
- Lock will reset in 5 seconds when lock is unlocked by mechanical operation. (Door is still in Nc state.)
-Lock will reset in 15 seconds when lock is unlocked by electrical operation. (Door is still in NC state)
- " L- " or " L+ " is selectable according to the intercom. Please see no pic.
L-: cathode
L+ Positive pole
- Quality warranty: 1 year.
- How to choose the wires properly

Section mm ²	Diameter ϕ	Length m
0.3	0.6	8
0.5	0.8	15
1	1.2	25
1.5	1.4	40
2.5	1.8	60



Установить перемычку



Съемная колодка